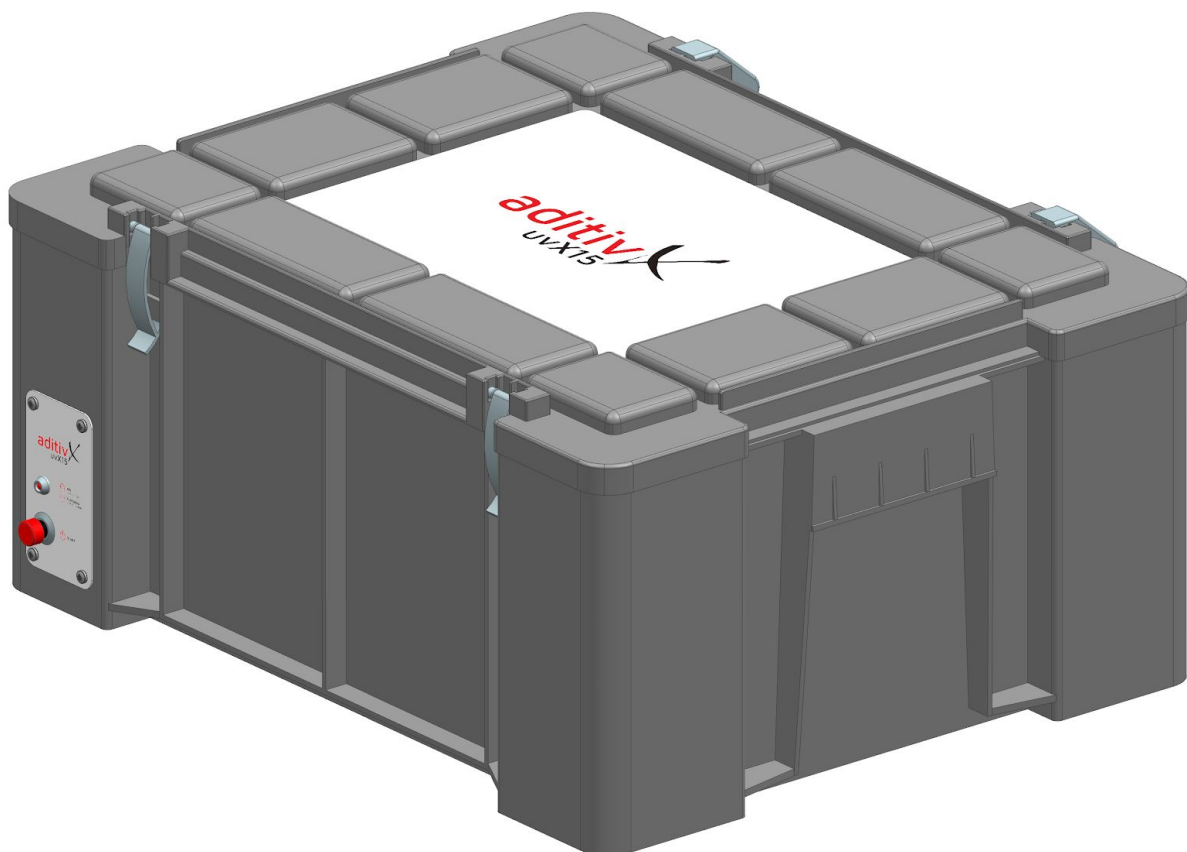


# Safety instructions and operating manual

## UV Germicidal Irradiation (UVGI) Unit

Model: uvX16



Please read this manual carefully before using your germicidal UV sterilizing unit.

# Safety and caution

---

## IMPORTANT SAFETY INSTRUCTIONS



### WARNING

When using the germicidal UV sterilizing unit be sure to follow basic precautions, including the following

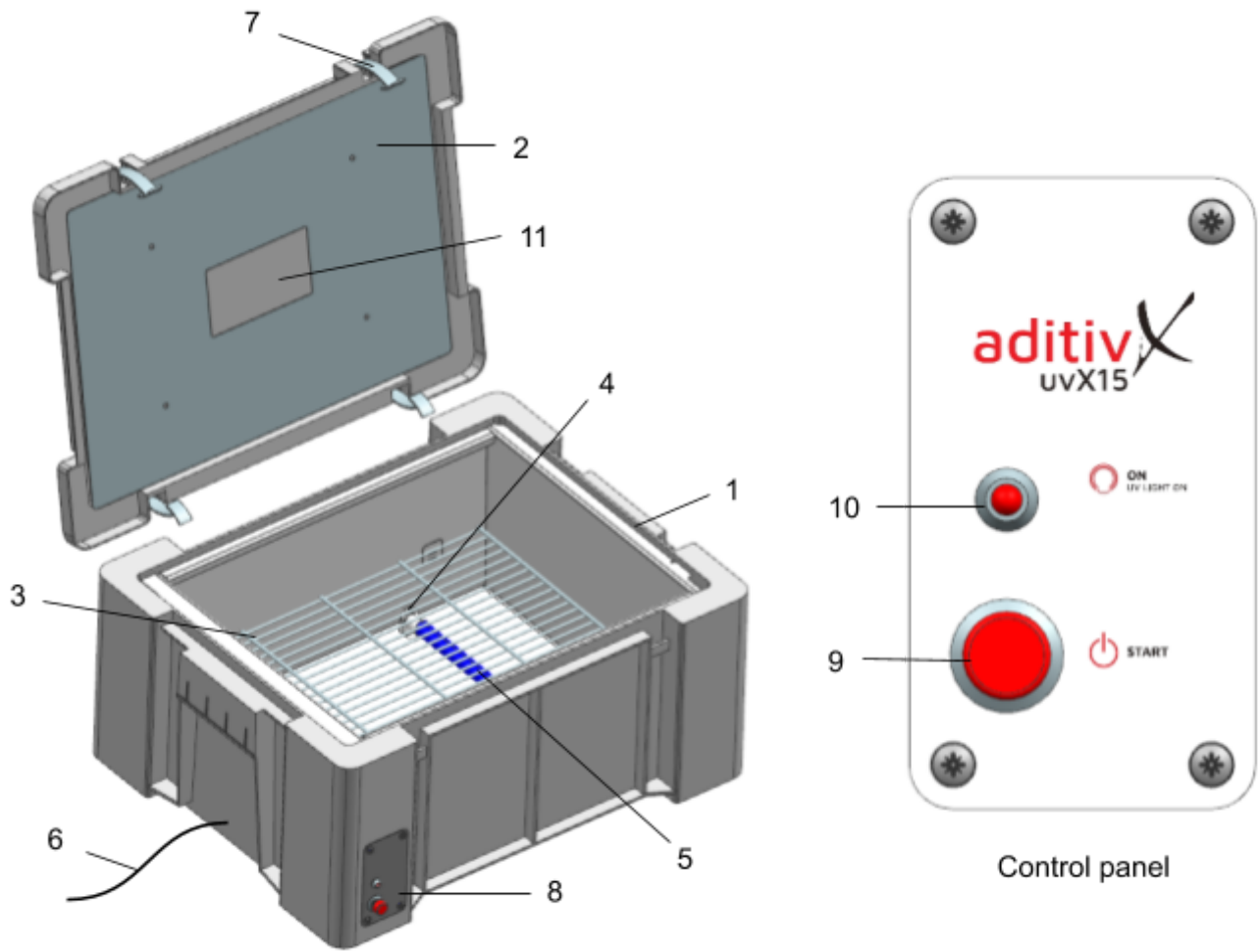
- Please read the user manual carefully before using the UV sterilising unit for the first time.
- This manual contains important information about installing, using and maintaining your device.
- The manufacturer cannot be held responsible for injury or loss due to non-compliance to this manual.
- Do not drop or handle in a hard-handed manner as this may result in damage to the device or bulb.
- **The device makes use of UV-C fluorescent light bulbs, which emits UV-C rays. Direct exposure to UV-C rays may cause eye/skin injury.**
- **The lamps provided will operate in standard fluorescent fixtures, but should not be used for general lighting applications.**
- **Under no circumstances should the safety systems be by-passed.**
- **If the “UV Light Status” indicator is ON and the UV bulbs are NOT illuminated (seen through the viewing window) the unit will NOT disinfect items placed in the device.** Refer to the [“Service and Maintenance”](#) section of this manual to rectify.
- Do not touch or handle the bulbs directly after the device has been used - bulbs may be hot and could cause injury due to burning. Wait at least 10 minutes after opening the lid before handling the bulbs.
- If the light bulbs break in the device, proceed with caution as the shards will be sharp and may cause injury.
- Risk of electric shock - do not expose the device to moisture or water during operation.
- Risk of electric shock - do not use the device if the power cord is damaged.
- Do not operate the device in the presence of flammable vapours.
- This device is not designed to be used by young children or infirm persons without supervision.

#### During installation:

- Electrical connection must be in accordance with the rating label.
- Electrical safety is only guaranteed when the earth system of your premises is in accordance with the related local regulations.
- Risk of electric shock - turn outlet power off and unplug the unit before inspection, installation or removal of the bulbs.
- If the power supply cord, or any other part of the unit, is damaged, it must only be replaced by the manufacturer or its service agent or a similar qualified person in order to avoid a hazard. Refer to the [“Service and Maintenance”](#) section for procedures that can be performed by the user.

# Parts Description

---



- 1. Sterilising unit box
- 2. Sterilising unit lid
- 3. Rack
- 4. Bulb holder
- 5. UV bulb
- 6. Power cord

- 7. Locking clip
- 8. Control panel
- 9. Start button
- 10. Status light
- 11. Viewing window

# Product Specification

---

The product specifications are as follows:

Rated Voltage	220 V
Rated Current	0.2 A
Power Consumption	16 W
UV Lamp Type	G8T5/OF
Outer Dimensions	510 mm x 400mm x 230mm
Sterilizing Volume	405mm x 310mm x 136mm

# Installation Instructions

---

The unit must be located in a well ventilated area.

Before plugging the power cord into the socket, the UV bulbs (part 5) need to be installed in the unit.

Follow the steps below to install the bulbs:

Step 1: Open the lid (part 2) of the device by undoing the locking clips (part 7).

Step 2: Open the bottom section by lifting the rack (part 3). It will hinge to the back. (Figure 2.a)

Step 3: Unpack the UV bulb (part 5) and insert it directly from above into the bulb holders(part 4). (Figure 2.b)

Step 4: Turn the UV bulb clockwise by 90 degrees to secure it in the holders. (Figure 2.c)

Step 5: Close the rack and ensure it is in the correct position.

Step 6: Plug the power cord (part 6) of the device into a wall socket.

The device is ready to use - refer to [How to use and operate](#).

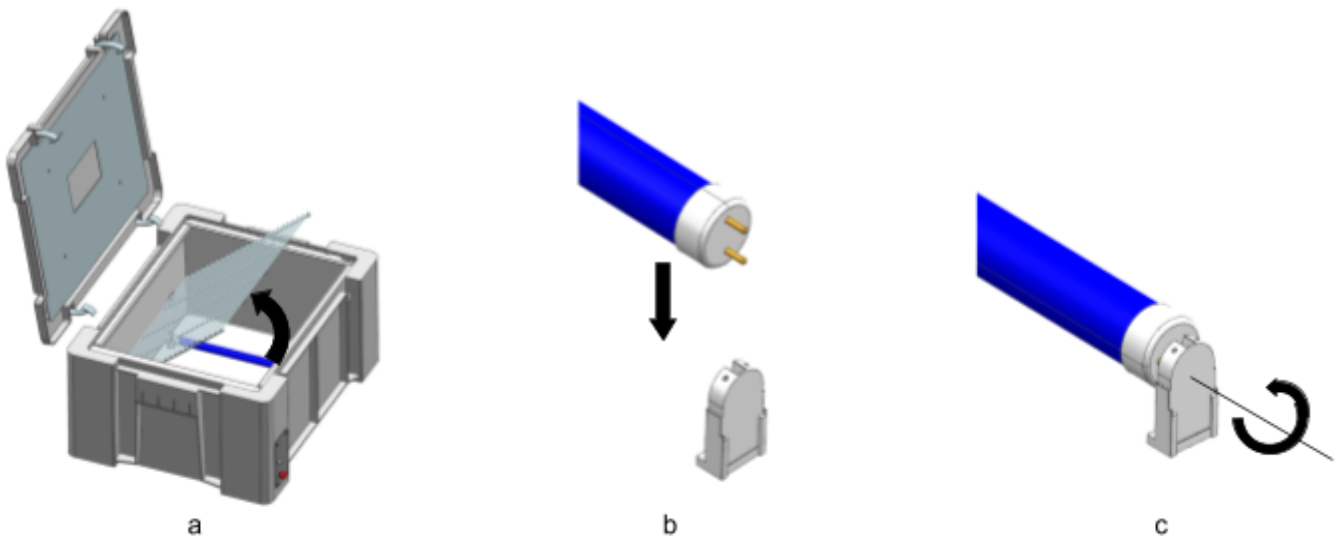


Figure 2: Bulb Installation Instructions

# How to use and operate

---

This device is designed to sterilize the surface of non-living components (such as: smartphones, documents, face masks, etc).

**IMPORTANT - Do not place live creatures or plants in the device. Doing so may result in injury or death.**

**IMPORTANT - Do not place containers containing liquids of any kind or medication of any kind in the device.**

## Status light meanings:

The light (above the “Start button”) on the control panel indicates the status of the device.

Control Panel Light Status	Device Status
Status light ON continuously	UV light is on inside box
Status light OFF continuously	UV light is off inside box
Status light is blinking	Device ready for use - the status light blinks 5 times when the lid is secure

Refer to Figure 1 - Control panel.

## Operation

Step 1: Open the lid and place items to be sterilized into the device.

**NOTE: Take care when positioning your items - UV rays can only sterilise exposed areas.**

Step 2: Close the lid by securing the locking clips (part 7). This ensures that the safety switches are engaged. (The unit will not start if the safety switches are not properly engaged.)

Step 3: Press the start button (part 9). The status light (part 10) as well as the UV lamps will turn on.

Step 4: The status light will turn off after 7 min and 30 seconds. Open the lid by releasing the locking clips.

**IMPORTANT - sterilise your hands with hand sanitizer before touching sterilised items. Failure to do so may result in re-contaminating the items.**

Step 5: Flip the items to sterilise the other side, close the lid and press the start button for a second time.

Step 6: When the status light turns off, items have been sterilised. Open the lid by releasing the locking clips.

**IMPORTANT - sterilise your hands with hand sanitizer before touching sterilised items. Failure to do so may result in re-contaminating the items.**

Step 8: Remove the items.

Step 9: Close the box to ensure the inside surface stays clean.

# Service and Maintenance

---

**IMPORTANT - The UV bulb must be replaced every two years to ensure that the sterilization process is completed effectively. Failure to do so may result in items NOT being sterilised properly.**

**Only use the recommended UV-C light bulbs with this device. Using different bulbs may result in malfunction of the device.**

When the status light on the control panel is ON continuously, the lamps should also be ON. If not, it indicates that the UV bulbs are not working properly. **The device is inoperable and will not be able to sterilise items.** One or both of the bulbs should be replaced for the device to be operable again.

## To replace a bulb

- Make sure that the device is unplugged.
- Follow the steps set out in the [Installation Instructions](#) section.
- Check that the control panel light stays on during normal operation.

## Bulb breakage

If one or both of the bulbs break, the breakage should be removed with caution. Fluorescent lamps contain mercury and are a health risk when damaged. Refer to <https://www.epa.gov/cfl/cleaning-broken-cfl> or [www.lamprecycle.org](http://www.lamprecycle.org) for safe cleaning instructions.

The shards of the broken lamps could cause personal injury - take normal precautions for the removal of glass.

The device will not sterilise items if one or both of the bulbs are broken.

After handling broken bulbs, wash hands thoroughly before eating or using the restroom.

## Maintaining the device

The internal surfaces of the box and the lid should be kept clean and free of dust at all times. The internal surfaces reflect the UV-rays which aids in sterilising items and effectivity will degrade if surfaces are contaminated.

To clean the internal surfaces:

Step 1: Make sure that the device is unplugged.

Step 2: Remove the rack and the UV bulb (refer to the [Installation Instructions](#) section).

Step 3: Wipe all internal surfaces with a methylated spirits cloth and remove all residue.

Step 4: Leave the device open in a well ventilated area until dry.

Step 5: Replace the UV lamp and rack.

Step 6: Plug in the power cord to the wall socket outlet.

For more information:

[www.aditivX.co.za](http://www.aditivX.co.za)

[info@aditivX.co.za](mailto:info@aditivX.co.za)